

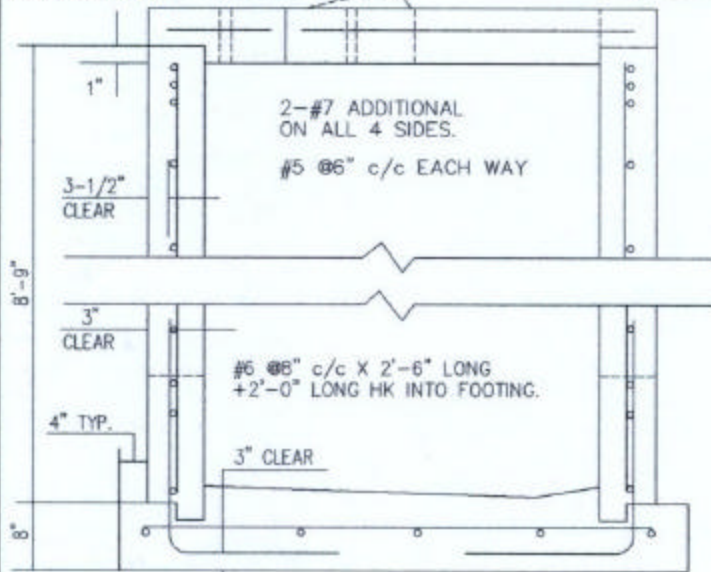
FOR DETAILS NOT SHOWN SEE W/3.06
 FOR ADDITIONAL NOTES, SEE DETAIL
 W/3.05 NOTES (1) THRU (4).

HOLES FOR VALVE BOXES - SEE W/4.04
 30" X 30" SQUARE OPENING IN TOP SLAB.
 IF VAULT OPENING LOCATION IN A STREET,
 PROVIDE 30" Ø OPENING IN TOP SLAB IN
 LIEU OF A SQUARE OPENING SHOWN.

NOTE: FOR SLAB THICKNESS &
 REINFORCING REFER TO W/4.01,
 Q = 7'-0"

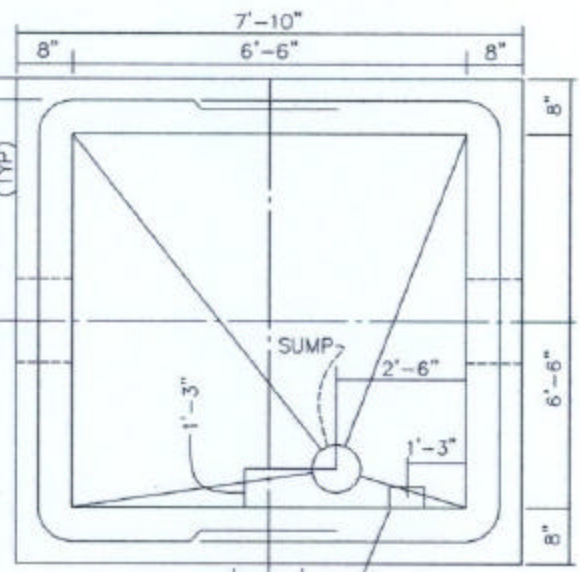
PLAN - TOP SLAB

TOP SLAB - SEE W/4.00
 "Q" = 7'-0" FOR THICKNESS
 & REINFORCING.



SECTION

C/L PIPE =
 C/C VAULT



18" LAP (TYP).
 MH STEPS @ 1'-0"
 C/C SEE S/1.0

PLAN - TOP SLAB REMOVED

ADD. #5 X 5'-0" LONG ALL 4 SIDES
 OF PIPE PASSING THRU WALLS.

PROVIDE 1 1/2" X 3 1/2" KEY (TYP).

CHARLES COUNTY GOVERNMENT
 DEPARTMENT OF PLANNING & GROWTH MANAGEMENT
 APPROVED: *[Signature]* 6/29/95
 DIRECTOR OF DEVELOPMENT SERVICES DATE
[Signature] 6/29/95
 WATER / SEWER ENGINEER DATE

STANDARD DETAIL
 CAST IN PLACE CONC.
 VAULT FOR 16" & 20"
 VERTICAL VALVES

REVISIONS:

W
 3.07