

Rain Barrel Workshop

Looking to Conserve Water and Do Something Good for the Environment?

Why not install a rain barrel . . . or Two!

The Charles County Government and University of Maryland Extension Program are pleased to offer a workshop on the practical uses for rain barrels and how they reduce the impact of runoff on our local waterways and Chesapeake Bay.

DATE: Saturday, May 12, 2018
TIME: 9:30am, 10:30am & 11:30am
PLACE: Charles County Government Building
 200 Baltimore St., LaPlata, MD 20646

Participants will have the opportunity to purchase pre-assembled rain barrels and learn the technique for later installation at home to become eligible for a tax deduction. Workshops are 45 minutes in length.

Pre-registration Required - Space Limited

For more information contact Jackie Takacs, 240-393-6508 or Erica Hahn, 301-396-5237. Register using the form below or go online at www.extension.umd.edu/watershed.

* additional service fees associated with online registrations

Actual Rain Barrel



Registration Closes May 7, 2018

Rain Barrel Registration

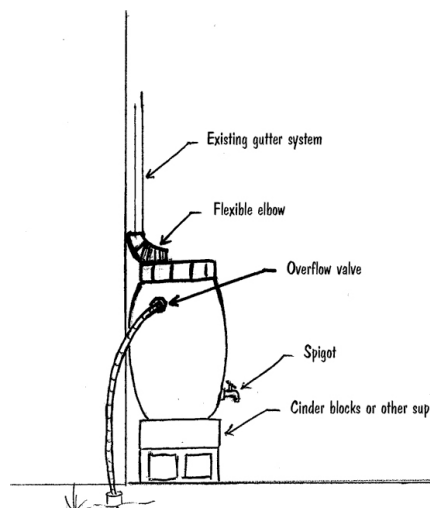
Name: _____

Address: _____

Phone: _____ Email: _____

Please Choose From the Following workshop times:

9:30am 10:30am 11:30am



- I am interested in learning about rain Barrels
But I DO NOT want a rain barrel at this time No Charge
- Rain Barrel - Charles County Resident \$30.00*
- Rain Barrel - Non-Charles County Resident \$75.00
- Option: Flexible Downspout Connector \$10.00
Circle Color Choice: White Green Lt. Brown Dk. Brown
- Option: Watering Can Spigot \$8.00

Total _____

**Charles County Department of public works is providing a discount to county residents for participating in this program. You must be present at a workshop to receive the discount.*

SMALL PRINT:

**If you would like to order more than one rain barrel please indicate that on the form and adjust payment accordingly. *You must register in advance to guarantee rain barrel availability on the day of the workshop. *Your property is eligible for a tax credit for installing 2 rain barrels. *Rain Barrels are 55-gallons in size and white in color (see photo at top of registration).*

Please make checks payable to: University of Maryland

Please Detach and Return Registration form to:
 Jackie Takacs,
 2005 Largo Road, Upper Marlboro, MD 20774

UNIVERSITY OF
MARYLAND
 EXTENSION

